



For all kinds of music

Hello!

Y885 Colourful Light Bluetooth Speaker User Manual

Dear AWEI User,

Thank you for choosing AWEI product. Your choice is crucial for us, which means AWEI has added a new user. Hope that we will bring you a good experience through our products and services. Also hope you will put forward the good advice and suggestions by official customer hotline, Weibo and Wechat in the process of product experience, which can help AWEI to constantly improve product and service.

If you encounter any problems in the using product, please refer to service process. Your support is our strongest power, also your recognition and evaluation are a great encouragement to AWEI. Thank you!

AWEI sales team

1

Introduction

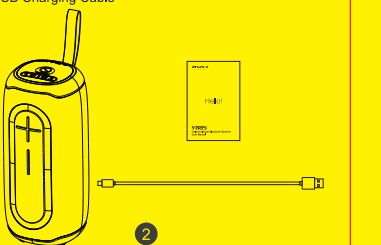
Thank you for purchasing the model AWEI Y885 Portable Outdoor Wireless Speaker. Pls read this manual before use.

Bluetooth wireless communications Technology introduction

Bluetooth is a kind of wireless technology which support short distance communications (work normally within a distance of 10M) with it you can exchange information by wireless between many IT digital devices like mobile phones / wireless earphones / computers etc. Bluetooth technology effectively and simplify to the communications which makes device and data transmission quickly and off effectively.

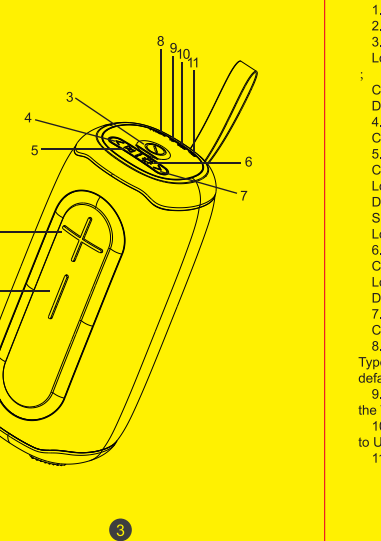
Accessories List

- 1X Bluetooth Speaker 1X User Manual 1X USB Charging Cable



2

Overview Of Speaker



3

Case description

- 1. Key+: Click: Volume up. 1.1. Before using wireless pairing, first turn on the audio power, it is already the default wireless model. 1.2. Turn on the wireless device, search for AWEI Y885 ,connect and pair, connect After success, start playing music experience. Long press about 3 seconds/time: Power On/Off Mode

- ; Click: Play/Pause mode; Double click: radio receiver mode. 4.<key Click: Previous song

- 5.Serial key: Click: Tandem/Exit Tandem; Long press: Switch mode; Double click in Bluetooth mode: Callback the phone; Short press: Answer/end a call; Long press for 2 seconds:Reject the call

- 6.Light button Click: Convert light mode; Long press: Turn lights on/off Double click: exit/back to Bluetooth connection

- 7.>key: Click: Next song

- 8.Type-C port: Charging line interface. When the Type-C charging line is inserted, the device is charged by default.

- 9.TF port: When the TF card is inserted, the default is the TF card playing mode

- 10.USB port: When the USB stick is inserted, it defaults to USB playback mode

- 11.AUX jack: Standard 3.5mm headphone jack.

4

How to use

- 1.Wireless pairing 1.1. Before using wireless pairing, first turn on the audio power, it is already the default wireless model. 1.2. Turn on the wireless device, search for AWEI Y885 ,connect and pair, connect After success, start playing music experience.

- 2. Suitable for various mobile phone accessories wireless technology, wireless adapter, wireless player.

- 3. Voice prompt 3.1. There is a voice prompt when turning on/off; 3.2. When the volume is increased to the maximum volume, there will be a voice prompt, and the minimum volume will not have a voice prompt. 3.3 Shut down after detecting 3.4V low power prompt 3 times;

- 4. Mode switching 4.1. It enters the wireless mode by default when it is turned on. The sequence of mode switching is as follows:Wireless mode-FM mode-TF card mode-USB mode-AUX mode.

- 4.2. Mode: Post-insertion priority. 5.TWS Operating Instructions

- Open any two speakers at the same time, click one TWS serialkey.When you hear the "beep" to enter the TWS search, the connection prompt tone sounds when the TWS connect successful, and the host indicator flashes and the copilot lights up.

- 6.Play indicator Wireless search status: white light flashing, about 0.5seconds/time; Wireless pairing status: white light is always on Play status: the white light flashes slowly for about 1 second/time

5

How to use

- 7.Charging indicator When charging, the 3 indicator lights flash from left to right; When the volume is 35%, the 1st indicator lights is normally on, and the 2nd-3rd flashes; When the volume is 70%, the 1st-2nd indicator light are normally on, and the 3rd indicator light are flashing. When the volume is 100%, the 3 are indicator lights are always on;

- 8.Volume Turn on the default speaker volume at 70%

- 9.Charging and using: This speaker has built-in overcharge protection circuit, which can be connected to a computer or charger for along time, About 4 hours Charging is fully, The play time of each battery is different because of the volume difference when use the speaker.

- 10.It will automatically shut down after 15 minutes if it is in no play status.

6

Product specification

- Bluetooth version: V5.3+EDR Playback mode: Bluetooth/AUX/TF card/U disk Play time music : 4 hours Charging time : 3.5 hours Battery capacity: 3000mAh Speaker power: 20W Charging voltage: 5V1A Frequency response range: 80Hz~15KHz Bluetooth operating frequency: 2402MHZ-2480MHZ Bluetooth transmission distance: 10M Speaker unit: 66-32 4 ohm 10w Audio signal-to-noise ratio: ≥60dB Receiving sensitivity: 2M/S

Trouble clearing

- 1. Automatic shutdown: When the battery power is low, the battery protection will be turned on automatically, please charge it for 4 hours before use.

- 2. Unable to play music: The music file storage path cannot be recognized by the player. Please store the music file in the root directory of the removable device.

- 3. There is no sound when connected to the computer: the computer interface is connected incorrectly, please select the correct audio output port

- 4. There is no response to the keys or the function is disordered: try again after shutting down.

- 5. When the speaker is abnormal, long press the On/Off key for 8 seconds to reset automatically

7

Safety And Maintenance

Please read suggests below in order to helping prolong the product lifespan and clearly understand the warranty clauses.

- ★ Keep the product dry, do not put it in humid circumstance to avoid short circuit.

- ★ Do not expose it to the sun or high heat. High heating will short lifespan of electronic components, damage battery and deform some plastic parts.

- ★ Do not put it in cold circumstance to avoid damage to PCB board.

- ★ Do not attempt to take apart the product, especially non-professionals.

- ★ Do not fall, vibrate strongly, strike with hard objects, to avoid damage to inner electronic circuit.

- ★ Do not use high chemical products, detergent to clean the item.

- ★ Do not scratch the surface with sharp items to avert damaging the case and appearance.

- ★ Do not make it charging 10 hours continuously for the sake of lifespan.

If the product can not work properly, please send it to AWEI authorized maintenance agents. Our staff will help to solve the problems for you.

Statement: In order to improve product performance we will upgrade products, the content may change without notice, pls forgive! Thank you for your purchase.

8

Supervised by H.K. Yale International Co., Ltd

Produced by Shenzhen Yale Electronics Co., Ltd Factory Add: 4th Floor, Buiding 2, Yujingtai Industrial Park, Huaxing Road, Longhua District, Shenzhen, China.

Customer service hotline/ Fax: Hotline: 400-998-3899 Cooperation mailbox: yale@awei.hk After-sales service: service@awei.hk

For more information please visit: www.awei.hk



AWEI WeChat

Contact: twitter : https://www.twitter.com/Aweiglobal facebook : https://www.facebook.com/aweiproducts instagram : https://www.instagram.com/awei_official

9

Products after-sales service

- 1. 7 Days Refund Policy A. Guarantee of Refund: Within 7 days since the date of purchase, the manufacturer promises to refund if the product bought from AWEI immediate shops or authorized distributor shops is in quality problem (artificial and external force damage excluded).

- B. Refund Procedure: Please take the product, whole set of package and original invoice to (or please freight pre-paid to) the shop you bought the product for checking. The seller will check by Quality Assurance Identification Rules to clarify the problem. If yes, the seller should refund the money the user paid for the product.

- 2. 15 Days Replacement Policy A. Guarantee of Replacement: Within 15 days since the date of purchase, the manufacturer promises to replace if the product bought from AWEI immediate shops or authorized distributor shops is in quality problem (artificial and external force damage excluded).

- B. Replacement Procedure: Please take the product, whole set of package and original invoice to (or please freight pre-paid to) the shop you bought the product for checking. The seller will check by Quality Assurance Identification Rules to clarify the problem. If yes, the seller should replace the product and issue a new invoice to the user. Freight arrangements please check with the shop you contact.

- 3. Twelve Months Warranty Policy A. Guarantee of Maintenance: Within twelve months since the date of purchase, the manufacturer promises to offer

- 11

Products after-sales service

maintenance service if the product bought from AWEI, immediate shops or authorized distributor shops is in quality problem (artificial and external force damage excluded).

B. Maintenance Procedure: Please take the product, whole set of package and original invoice to (or please freight pre-paid to) the shop you bought the product for checking. The seller will check by Quality Assurance Identification Rules to clarify the problem. If yes, the seller should fill warranty card with official stamp and send back to manufacturer. After repairing, manufacturer sends the product to the seller and the seller should inform the user to collect it. Freight arrangements please check with the shop you contact.

- 4. Quality Assurance Identification Rules A. Quality Assurance is NOT applicable to those items: accessories like packing box, pouch, ear clip and earmuffs; product beyond warranty period; product got from unauthorized agents or informal channels; fake AWEI product; AWEI premium; artificial damaged product; external force damaged product.

B. Quality Assurance Identification Procedure: Check warranty period (by original invoice) —— confirm original product (check security code on AWEI official website) —— check product damage (clarify artificial damage and external force like water, fire, chemicals or weight crush damages) —— check product quality (to confirm if the testing result is conform to description) —— check buying channel (subject to manufacturer's verification).

11

AWEI Warranty Card (please fill this carefully)

| | |
|------------------|----------------------|
| Model No. | Barcode |
| User Name | TEL |
| Address | |
| Seller | Seller Tel |
| Seller Add | |
| Date of purchase | Date for Maintenance |
| Damage situation | Maintenance time |
| Remark | |





For all kinds of music

您好!

Y885 幻彩灯光蓝牙音箱 使用说明

1

尊敬的AWEI用户:

感谢您选用AWEI产品!您的选择对于我们至关重要,这意味着AWEI又增加了一名新用户。希望通过我们的产品和服务,为您带来上佳的体验。也希望您在产品体验过程中,通过官方客户热线、微博、微信、等提出好的意见和建议,帮助AWEI不断完善产品和服务。

如果您在产品使用过程中遇到任何问题,请参照服务流程,方便、快捷地获取帮助。您的支持是我们成长的动力,您的每一次认可和评价都是对AWEI莫大的鼓励。谢谢!

AWEI营销团队

介绍

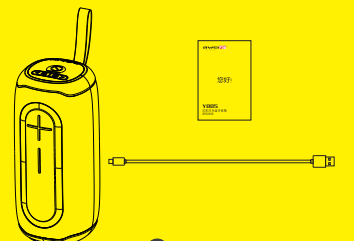
非常感谢您使用AWEI Y885户外防水蓝牙音箱,在使用本产品之前,请仔细阅读本手册。

蓝牙无线通信的技术介绍

蓝牙是一种支持设备短距离通信(通常在10M内)的无线电技术。能在包括手机、无线耳机、电脑等众多IT数码设备之间进行无线信息交换。利用“蓝牙”技术能有效地简化设备之间的通信,数据传输从而变得更加迅速高效。

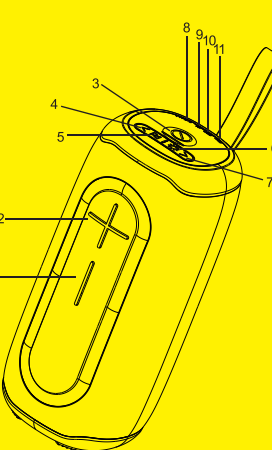
附件清单

- 1X 蓝牙音箱
- 1X USB充电线
- 1X 说明书



2

按键说明



3

按键说明

1. 按键+: 单击: 音量加
2. 按键-: 单击: 音量减
3. 开关按键: 长按开关机约3秒/次; 单击: 播放/暂停; 收音模式下: 双击收音台
4. < 按键: 单击: 上一曲
5. 串联键: 单击: 串联/退出串联; 长按: 转换模式
6. 灯光按键: 单击: 转换灯光模式; 长按: 开/关灯
7. > 按键: 单击: 下一曲
8. Type-C 插孔: 充电线接口, 插入Type-C充电线时, 默认为设备充电
9. TF插孔: 插入TF卡时, 默认为TF卡播放模式
10. USB插孔: 插入U盘时, 默认为USB播放模式
11. AUX插孔: 标准中3.5mm耳机插孔

4

怎样使用

1. 无线配对
 - 1.1. 使用无线配对前, 首先打开音频电源, 它已经是默认无线模式。
 - 1.2. 打开无线设备, 搜索AWEI Y885, 连接配对连接成功后, 开始播放音乐体验。
2. 适用于各种手机配件无线技术, 无线适配器, 无线播放器。
3. 语音提示
 - 3.1. 开/关机有语音提示音;
 - 3.2. 音量加到最大音量有语音提示, 最小音量无语音提示
- 3.3. 检测到3.4V低电提示3次后关机
4. 模式切换
- 4.1. 开机默认进入无线模式
- 模式切换顺序: 无线模式-FM模式-TF卡模式-U盘模式-AUX模式
- 4.2. 模式: 后插优先。
5. TWS操作说明
- 任意两个音箱同时打开, 单击其中一个TWS串联键听到“嘟”的一声进入TWS搜索, 当TWS连接成功响连接提示音, 主机指示灯闪烁, 副机长亮
6. 播放指示灯
- 无线搜索状态: 白灯快闪, 约0.5秒/次;
- 无线配对状态: 白灯常亮
- 播放状态: 白灯灯慢闪 约1秒/次;

5

怎样使用

7. 充电指示灯
- 充电为3颗流水灯从左至右闪烁
- 电量35%第1颗常亮2.3颗闪烁
- 电量70%第1-2颗常亮3颗闪烁
- 电量100%第1-2-3颗常亮
8. 音量
- 开机默认音箱70%音量。
9. 充电使用:
- 本机内置过充保护电路, 可长时间连接电脑或充电器, 约四小时即可完成充电。每个电池的播放时间会因使用不同大小的音量而有所不同。
10. 无工作状态, 15分钟后自动关机。

6

产品规格

- 蓝牙版本: V5.3+EDR
- 播放模式: 蓝牙/AUX/TF卡/U盘
- 工作时长: 4小时
- 充电时长: 3.5小时
- 电池容量: 3000mAh
- 喇叭功率: 20W
- 充电电压: 5V/1A
- 频率响应范围: 80Hz~15KHz
- 蓝牙工作频率: 2402MHZ-2480MHZ
- 蓝牙传输距离: 10M
- 扬声器单元: 66-32 4欧10w
- 音频信噪比: >=60dB
- 接收灵敏度: 2M/S

7

安全与保养

在使用时, 请阅读以下建议有助于您遵守保修条款, 并延长产品的使用寿命。

- ★ 保持产品干燥, 勿将产品放在潮湿的地方, 以免影响产品内部电路;
 - ★ 不要将产品放置在太阳直射或者高温的地方, 高温会缩短电子部件的使用寿命损坏电池, 使某些塑料部件变形;
 - ★ 不要将产品放在过冷的地方, 以免损坏内部电路板
 - ★ 不要试图拆开产品, 尤其是非专业人员, 可能会损坏产品;
 - ★ 不要跌落、强烈震动、用硬体撞击产品, 以免损坏内部电路;
 - ★ 不要使用烈性化学制品、清洁剂清洁机器;
 - ★ 不要用尖体在产品表面上乱划, 以免损坏外壳和影响外观;
 - ★ 不要对机器连续充电超过10小时, 以免影响使用寿命;
- 如产品不能正常工作, 请将其送至AWEI的授权维修机构, 工作人员会热心帮您解决问题。

声明: 为提高产品性能我们会进行产品升级, 本说明内容可能会有所变更, 恕不另行通知, 敬请谅解。感谢您的选购!

8

产品售后服务指南

香港雅乐国际有限公司 监制
深圳市雅乐电子有限公司 出品
厂址: 中国深圳市龙华区大浪裕景泰科技工业园

消费者服务热线/传真:
服务热线: 400-998-3899
合作邮箱: yale@awei.hk
售后服务: service@awei.hk

获取更多信息请访问:
www.awei.hk



官方微信查询真伪

国外社区:
twitter : <https://www.twitter.com/Aweiglobal>
facebook : <https://www.facebook.com/awei/products>
instagram : https://www.instagram.com/awei_official

9

产品售后服务指南

- 一、七天包退细则
- A. 包退原则: 用户在AWEI直属专营店或经AWEI授权的经销店所购买的产品, 自购买之日起7天内, 产品未受到任何人为或外力的损害而发生的产品质量问题, 厂家包退货。
- B. 退货流程: 用户将产品、包装和票据完整地拿到(或自费邮寄到)购买地点给卖家检测——卖家按质保鉴定规则检测, 鉴定该产品实属产品质量问题——卖家退还用户购买产品时所付的费用。

- 二、十五天包换细则
- A. 包换原则: 用户在AWEI直属专营店或经AWEI授权的经销店所购买的产品, 自购买之日起15天内, 产品未受到任何人为或外力的损害而发生的产品质量问题, 厂家包换货。
- B. 换货流程: 用户将产品、包装和票据完整地拿到(或自费邮寄到)购买地点给卖家检测——卖家按质保鉴定规则检测, 鉴定该产品实有产品质量问题——卖家为用户更换货品并开具新票据。

- 三、十二个月包修细则
- A. 包修原则: 用户在AWEI直属专营店或经AWEI授权的

10

产品售后服务指南

- 分销店所购买的产品, 自购买之日起十二个月内, 产品未受到任何人为或外力的损害而发生的产品质量问题, 厂家包修。
- B. 包修流程: 用户将产品、包装和票据完整地拿到(或自费邮寄到)购买地点给卖家检测——卖家按质保鉴定规则检测, 鉴定该产品有产品质量问题——卖家填写产品质保卡并盖公章——卖家将产品邮寄给厂家维修——厂家维修好邮寄给卖家——卖家通知用户取货。

- 四、质保鉴定规则
- A. 无质保产品: 包装盒、收纳袋、耳机夹、耳套等附属部件; 不在三包期内的产品; 非AWEI授权或非正规渠道所购买的产品; 非AWEI正品; 赠品; 被人为损害的产品; 被外力损害的产品。
- B. 质保鉴定: 查三包期(以票据为证)——查正品(进AWEI官方网站查防伪编码)——查产品损坏情况(有无明显人为造成的破损、有无被水、火、化学物品或重物损害的痕迹)——查产品质量(在符合产品使用的情况下测试效果是否与产品描述相符)——查购买渠道(限厂家查证)

11

AWEI产品保修卡 (请认真填写完整)

| | | |
|------|------|--|
| 产品型号 | 条形码 | |
| 用户名字 | 用户电话 | |
| 用户住址 | | |
| 商家名称 | 商家电话 | |
| 商家地址 | | |
| 购买日期 | 报修日期 | |
| 损坏情况 | 维修时间 | |
| 备注 | | |